

Low Profile Conical Mounts

We make it **possible**



DESCRIPTION & CHARACTERISTICS:

Hutchinson Low Profile Conical Mounts provide excellent isolation performance in a compact package. These mounts are well suited for applications where minimal installed height is critical. Our light weight isolators are constructed of aerospace grade high-damped silicone bonded to aluminum structural components. Optimal for use in aircraft, ground vehicles and other applications.

Low Profile Conical Mounts are ideal to protect sensitive electronics such as: avionics units, navigation and guidance systems, displays, instruments, panels, controllers, sensors and other equipment.

- » Low profile mount minimizes installed height envelope
- » Natural Frequency: 19 – 43 Hz, depending upon Size and Load
- » High damped silicone elastomer
- » Maximum Transmissibility at Resonance: ≤ 4
- » Axial-to-Radial Stiffness Ratio: approximately 1 : 1
- » Rated loads up to 15 lbs
- » Light Weight:

PART NUMBER	WEIGHT
32083	0.34 oz. max
32085	0.75 oz. max
32087	1.60 oz. max

- » Operating temperature range: -65°F to +300°F (-54°C to +149°C)
- » Standard Materials:
 - Center Core: 2024-T4 aluminum, conversion coated per MIL-DTL-5541, Class 1A
 - Base Plate: 2024-T351 aluminum, conversion coated per MIL-DTL-5541, Class 1A
 - Elastomer: Hutchinson Hi-Damp silicone

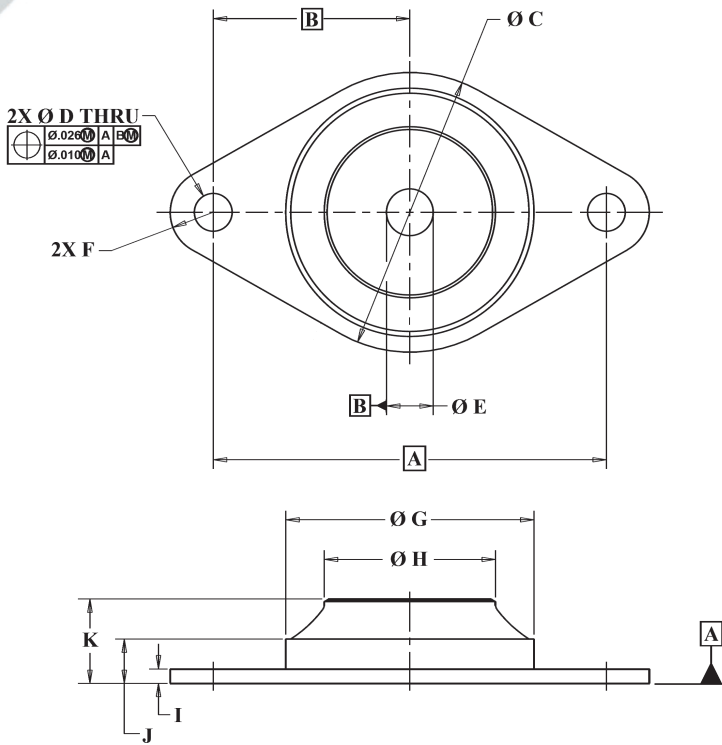
– See reverse side for Performance Characteristics –



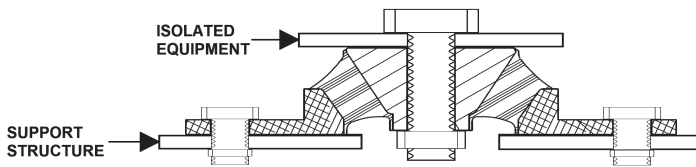
Low Profile Conical Mounts

Technical Specifications

We make it **possible**



RECOMMENDED INSTALLATION



	32083	32085	32087
A	1.438	1.950	2.740
B	.719	.975	1.370
C	1.220 ± .015	1.690 ± .005	1.950 ± .015
D	.141 ± .005	.152 ± .003	.263 ± .003
E	.195 - .200	8-32UNC-2B	.323 - .329
F RAD	.160 ± .015	.190 ± .015	.300 ± .010
G	1.156 ± 0.010	1.495 ± .005	1.730 ± .015
H	.500 ± .005	.966 ± .005	1.193 ± .005
I	.062 ± .005	.063 ± .005	.100 ± .005
J	.187 ± .010	.183 ± .010	.310 ± .001
K	.520 ± .015	.500 ± .015	.580 - .605

* Dimensions shown are metal to metal

32083 Performance Characteristics: 4.5 lb. Maximum Static Load

PART NUMBER	Axial Natural Frequency* (Hz)	Dynamic Spring Rate (lbs/in)	
		Axial	Radial
32083-2	19	165	180
32083-3	20	185	200
32083-4	21	200	225
32083-5	23	245	270
32083-6	25	290	315
32083-7	26	310	340
32083-8	28	360	395
32083-9	30	415	455
32083-10	33	500	550

32085 Performance Characteristics: 6 lb. Maximum Static Load

PART NUMBER	Axial Natural Frequency* (Hz)	Dynamic Spring Rate (lbs/in)	
		Axial	Radial
32085-2	24	355	270
32085-3	26	415	320
32085-4	28	480	370
32085-5	31	590	455
32085-6	33	665	515
32085-7	35	750	575
32085-8	37	840	645
32085-9	40	980	755
32085-10	43	1130	870

32087 Performance Characteristics: 15 lb. Maximum Static Load

PART NUMBER	Axial Natural Frequency* (Hz)	Dynamic Spring Rate (lbs/in)	
		Axial	Radial
32087-6	23	810	810
32087-7	26	1035	1035
32087-8	28	1200	1200
32087-9	31	1380	1380
32087-10	33	1570	1570
32087-11	35	1875	1875
32087-12	37	2095	2095
32087-13	40	2450	2450
32087-14	43	2830	2830

* Input = .036 inch double amplitude with maximum static load



Phone: 508-417-7000 | Email: sales.hopkinton@hutchinsoninc.com | www.hutchinsonai.com

CMMC Level 2 Certified
IATF 16949 Certified
ISO 9001: 2015 Certified
ISO 14001: 2015 Certified
AS9100D Certified
ISO 50001:2018 Certified
Cage Code: 81860