

# 44000 Tube Mount Series

We make it **possible**



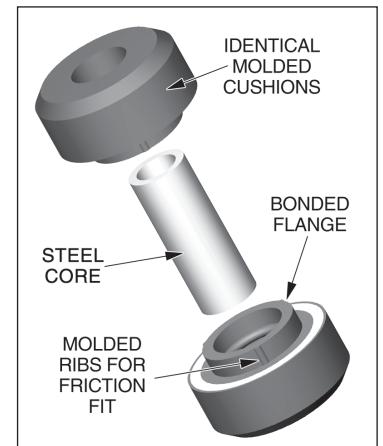
## DESCRIPTION & CHARACTERISTICS:

Rugged, low profile, high capacity mounts for vibration and shock protection. Recommended for use with off-road equipment, trucks, construction equipment and power generation equipment.

- » Uses the same installation hardware as the 22000 series mounts.
- » Available in a full range of load ratings and sizes.
- » Symmetrical design prevents installation error.
- » Axial-to-Radial stiffness 4:1.
- » Available in Neoprene or Natural Rubber for most environments.
- » Fail-safe when used with snubbing washer.

## HUTCHINSON 44000 TUBE MOUNT ADVANTAGES:

- » Improved durability and service life.
- » Integrated metal flanges enable faster installation and provide lower cost because the mounting hole does not require deburring or chamfering.
- » Accommodates alternative support plate thicknesses by varying tube length.  
(Contact Hutchinson Engineering for specifics on this feature)
- » Parts are color coded for ease of identification.
- » RoHS Compliant.



## ENVIRONMENTAL DATA:

- » Neoprene elastomer has an operating temperature range of -20° F to +180° F (-30° C to + 82° C) and is resistant to oils, most solvents and ozone.
- » Natural rubber has an operating temperature range of -40° F to +180° F (-40° C to +82° C)

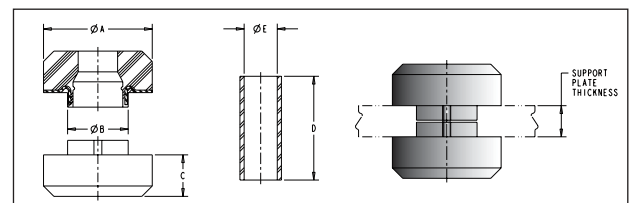
## 44000 SERIES DIMENSIONS:

SIZE	Ø A		Ø B		C		D		Ø E		Weight	
	inch	mm	inch	mm	inch	mm	inch	mm	inch	mm	lbs. oz.	grams
44001	1.31	33.3	.730	18.5	0.50	12.7	1.25	31.8	.397	10.1	1.5 oz.	43
44002	1.88	47.8	1.23	31.2	0.78	19.8	1.94	49.3	.532	13.5	5.0 oz.	142
44003	2.55	64.8	1.48	37.6	0.90	22.9	2.43	61.7	.657	16.7	11.0 oz.	312
44004	3.50	89.0	2.23	56.6	1.00	25.4	2.88	73.2	.938	23.8	1 lb.8 oz.	667
44005	4.88	124.0	2.47	62.7	1.25	31.8	3.38	85.9	1.063	27.0	2 lb. 14 oz.	1,305



## DIMENSIONAL DATA:

See reverse side for  
Technical Specifications



# 44000 Tube Mount Series

## Technical Specifications

We make it **possible**

PART NUMBER	SUPPORT PLATE THICKNESS	AXIAL LOAD RATING (MAX)		ELASTOMER MATERIAL	COLOR CODE	BOLT INFORMATION						
		LBS	KG			SIZE	SAE GRADE	MAX DRY TORQUE (FT-LBS)				
<b>44001</b>												
44001-1	.375"	40	18	Natural Rubber	Red	.375"	5	30				
44001-2		90	41	Natural Rubber	Yellow							
44001-3		140	64	Natural Rubber	Green							
44001-4		250	113	Natural Rubber	Blue							
44001-5		300	136	Natural Rubber	Purple							
44001-11		40	18	Neoprene	Red & White							
44001-12		90	41	Neoprene	Yellow & White							
44001-13		140	64	Neoprene	Green & White							
44001-14		250	113	Neoprene	Blue & White							
44001-15		300	136	Neoprene	Purple & White							
<b>44002</b>												
44002-1		.563"	130	59	Natural Rubber				Red	.500"	8	120
44002-2			175	79	Natural Rubber				Yellow			
44002-3			240	109	Natural Rubber				Green			
44002-4			380	172	Natural Rubber				Blue			
44002-5	630		286	Natural Rubber	Purple							
44002-11	130		59	Neoprene	Red & White							
44002-12	175		79	Neoprene	Yellow & White							
44002-13	240		109	Neoprene	Green & White							
44002-14	380		172	Neoprene	Blue & White							
44002-15	630		286	Neoprene	Purple & White							
<b>44003</b>												
44003-1	.875"		210	95	Natural Rubber	Red	.625"	8	220			
44003-2			350	159	Natural Rubber	Yellow						
44003-3			490	222	Natural Rubber	Green						
44003-4			775	350	Natural Rubber	Blue						
44003-5		1100	500	Natural Rubber	Purple							
44003-11		210	95	Neoprene	Red & White							
44003-12		350	159	Neoprene	Yellow & White							
44003-13		490	222	Neoprene	Green & White							
44003-14		775	350	Neoprene	Blue & White							
44003-15		1110	500	Neoprene	Purple & White							
<b>44004</b>												
44004-1		1.125"	270	122	Natural Rubber	Red				.875"	8	600
44004-2			510	231	Natural Rubber	Yellow						
44004-3			770	349	Natural Rubber	Green						
44004-4			1170	530	Natural Rubber	Blue						
44004-5	2100		952	Natural Rubber	Purple							
44004-11	270		122	Neoprene	Red & White							
44004-12	510		231	Neoprene	Yellow & White							
44004-13	770		349	Neoprene	Green & White							
44004-14	1170		530	Neoprene	Blue & White							
44004-15	2100		952	Neoprene	Purple & White							
<b>44005</b>												
44005-1	1.25"		1140	517	Natural Rubber	Red	1.000"	8	900			
44005-2			1930	875	Natural Rubber	Yellow						
44005-3			2580	1170	Natural Rubber	Green						
44005-4			3540	1605	Natural Rubber	Blue						
44005-5		4560	2068	Natural Rubber	Purple							
44005-11		1140	517	Neoprene	Red & White							
44005-12		1930	875	Neoprene	Yellow & White							
44005-13		2580	1170	Neoprene	Green & White							
44005-14		3540	1605	Neoprene	Blue & White							
44005-15		4560	2068	Neoprene	Purple & White							

For performance curves and other product details, please visit our website.



Phone: 508-417-7000 | Email: sales.hopkinton@hutchinsoninc.com | www.hutchinsonai.com

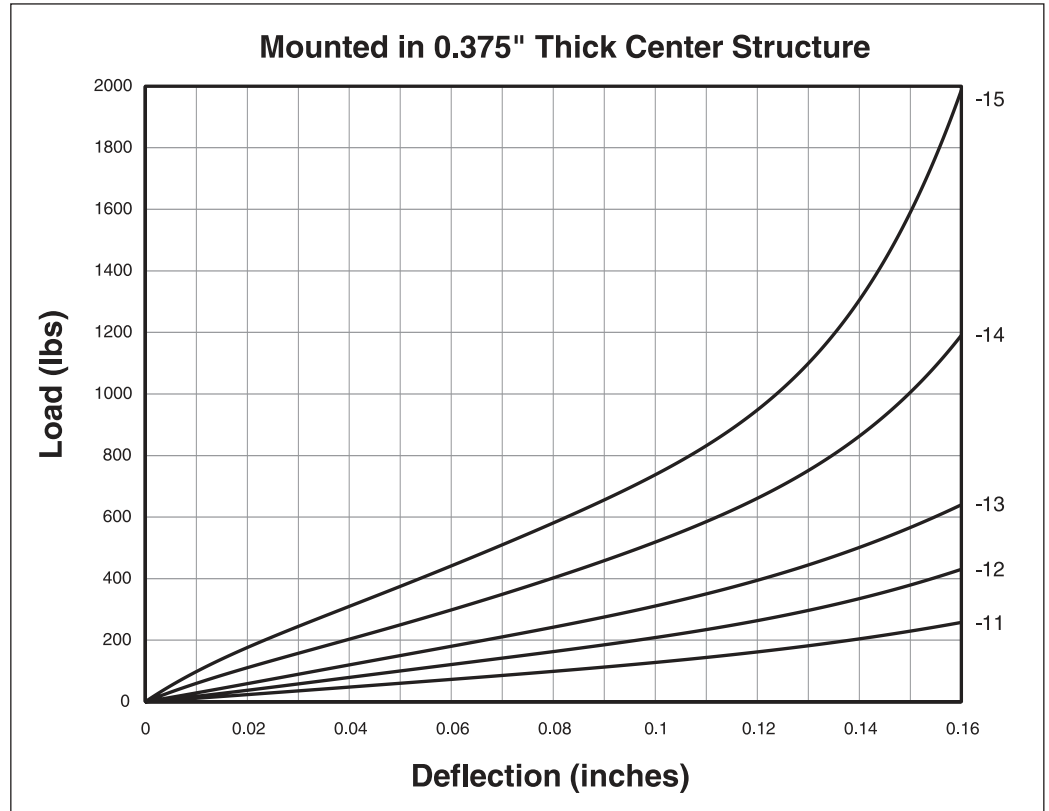
CMMC Level 2 Certified  
 IATF 16949 Certified  
 ISO 9001: 2015 Certified  
 ISO 14001: 2015 Certified  
 AS9100D Certified  
 ISO 50001:2018 Certified  
 Cage Code: 81860

# 44000 Tube Mount Series

## Technical Specifications

We make it **possible**

44001 Series  
Axial Load  
vs.  
Deflection

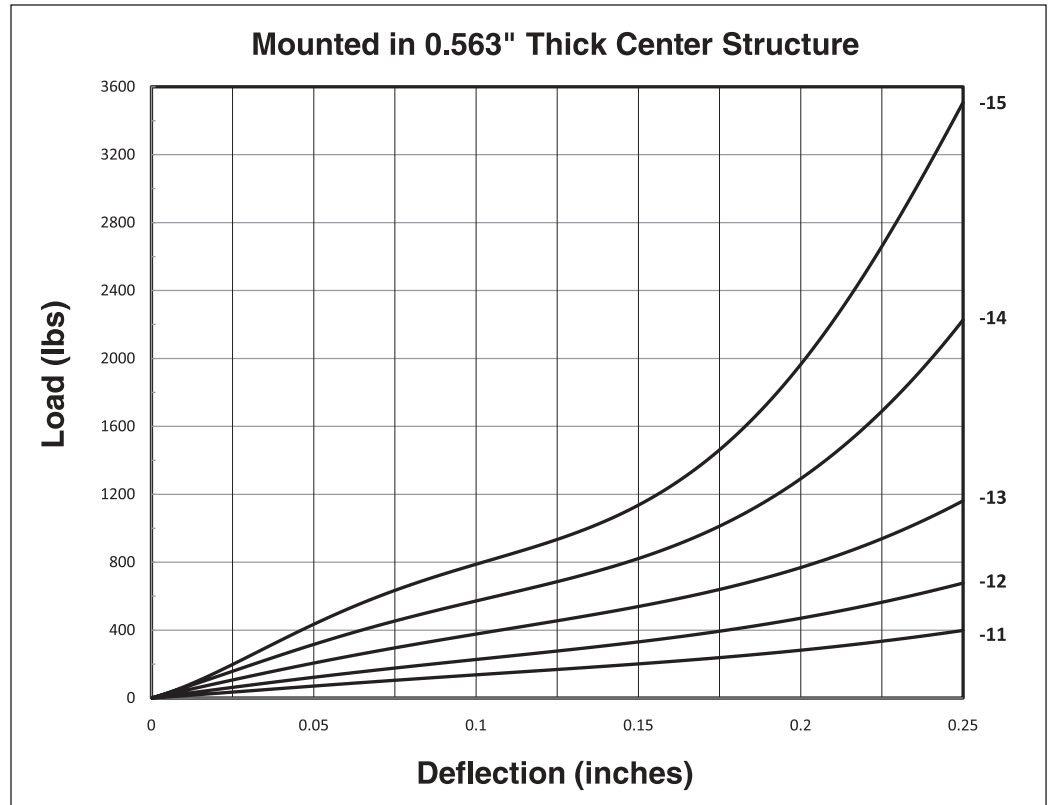


# 44000 Tube Mount Series

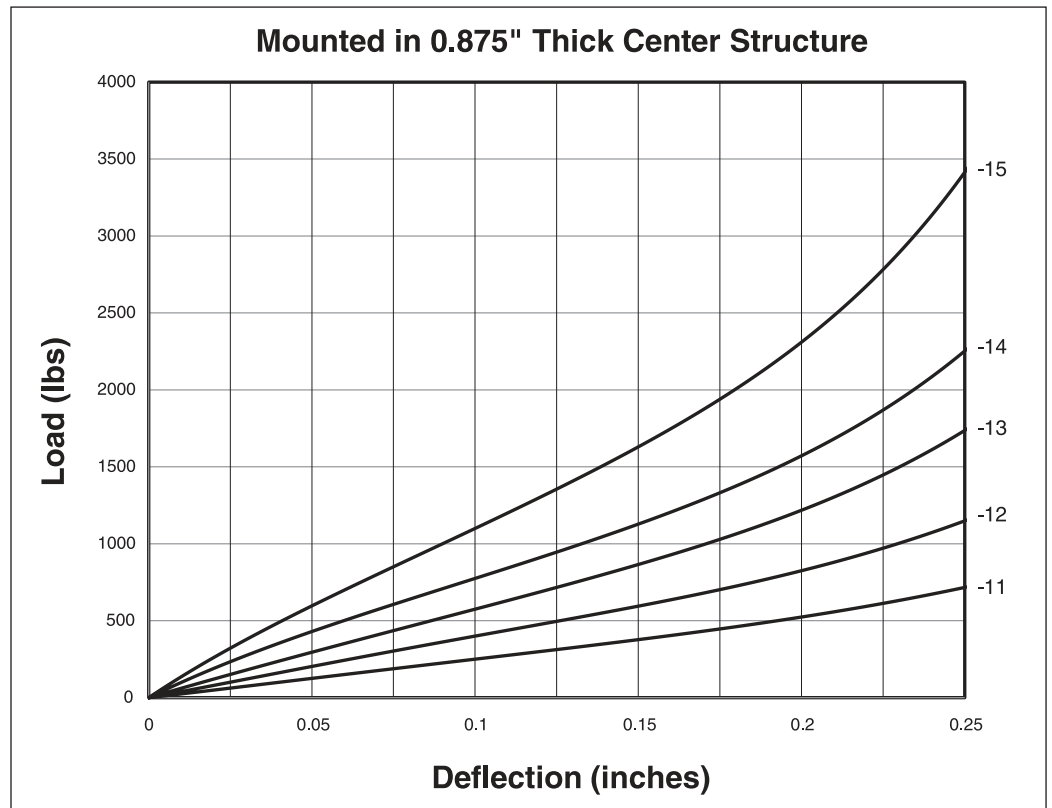
## Technical Specifications

We make it **possible**

### 44002 Series Axial Load vs. Deflection



### 44003 Series Axial Load vs. Deflection

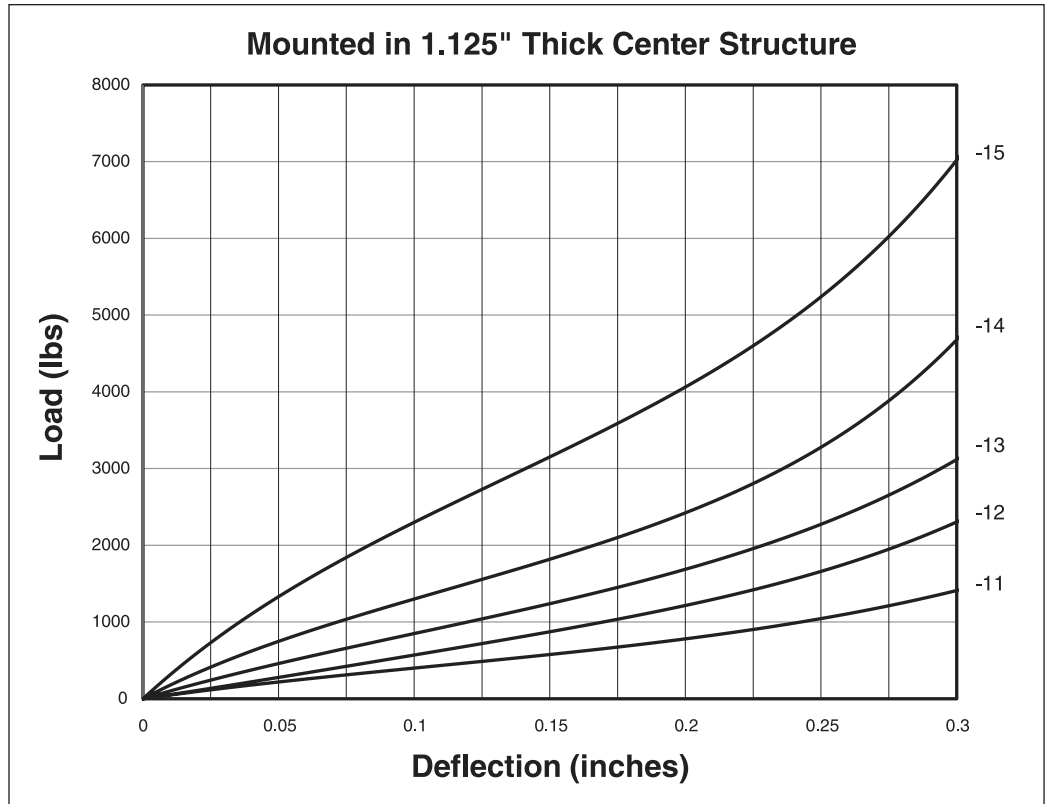


# 44000 Tube Mount Series

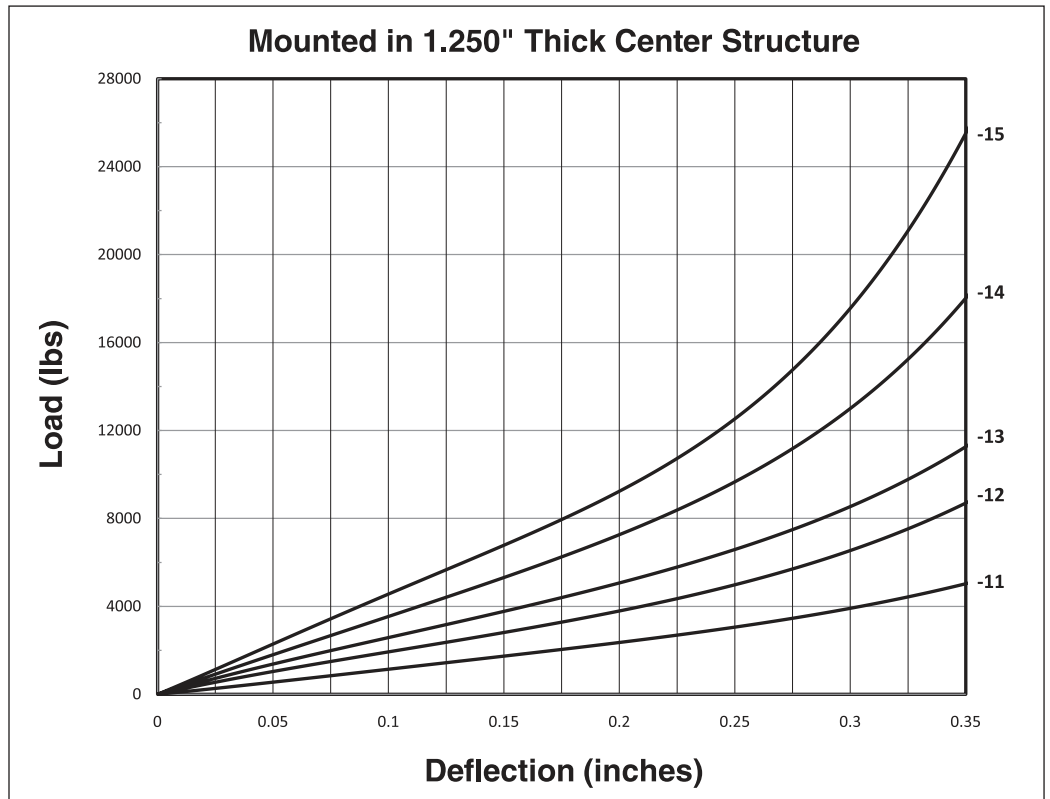
## Technical Specifications

We make it **possible**

### 44004 Series Axial Load vs. Deflection



### 44005 Series Axial Load vs. Deflection



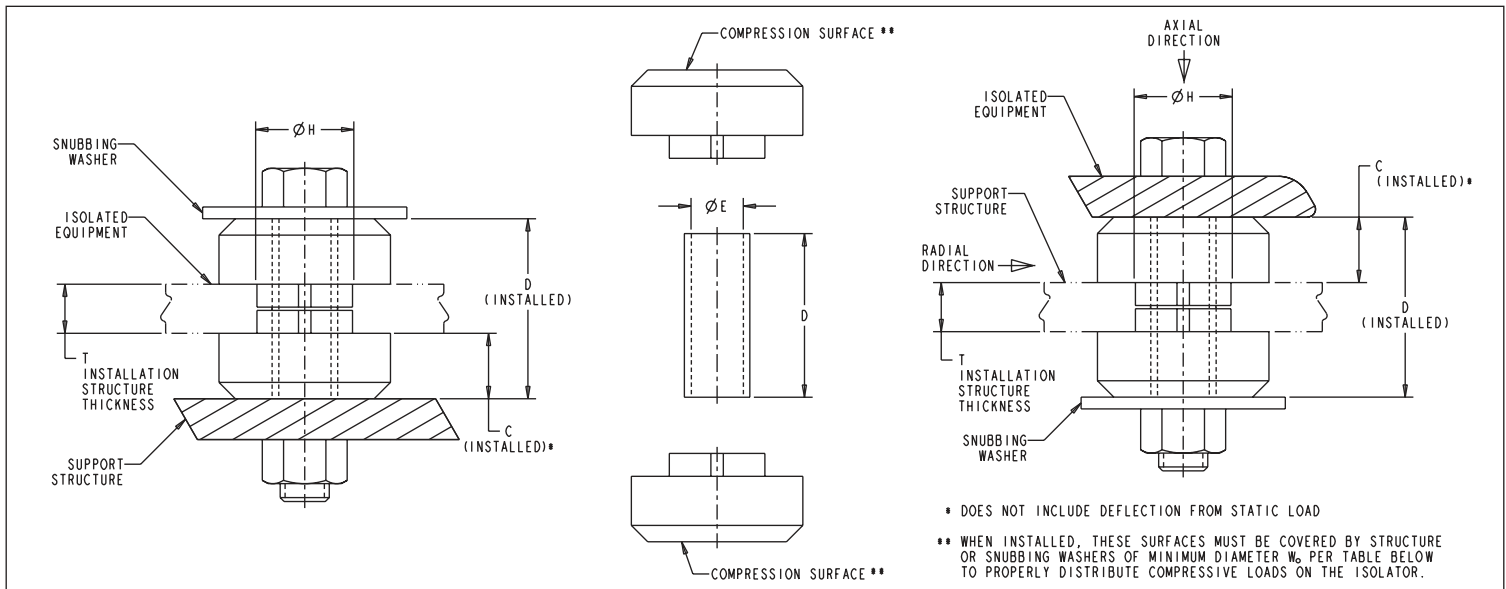
# 44000 Tube Mount Series

## Technical Specifications

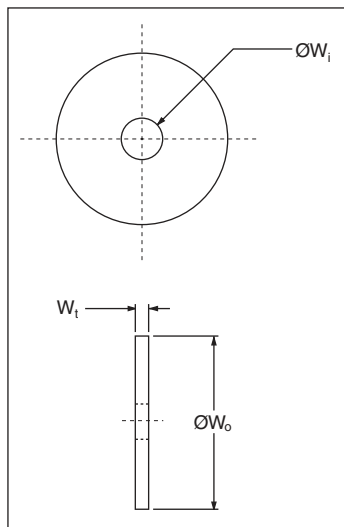
We make it **possible**

### 44000 Series Installation Dimensions

P/N	C		D		Ø E		Ø H		T	
	Isolator Height*		Tube Length		Tube I.D.		Installation Hole Diameter		Installation Structure Thickness	
	inch	mm	inch	mm	inch	mm	inch	mm	inch	mm
44001	0.44	11.1	1.250	31.8	0.397	10.1	0.750	19.1	0.375	9.5
44002	0.69	17.4	1.937	49.2	0.532	13.5	1.250	31.8	0.563	14.3
44003	0.78	19.7	2.430	61.7	0.657	16.7	1.500	38.1	0.875	22.2
44004	0.88	22.3	2.880	73.2	0.938	23.8	2.250	57.2	1.125	28.6
44005	1.07	27.1	3.380	85.9	1.063	27.0	2.500	63.5	1.250	31.8



### 44000 Mount Series Snubbing Washer



The use of snubbing washers is required to ensure proper static and dynamic loading of the isolator and retention of suspended equipment under severe shock environments.

Snubbing washers are ordered by separate part numbers as shown in the table below. The standard material is low-carbon steel and the standard finish is zinc plate. Other materials and finishes are available upon request.

P/N	Ø W <sub>0</sub>	Ø W <sub>i</sub>	W <sub>t</sub>	Part #
44001	1.56	.391	.090	9810145-01804
44002	2.13	.532	.134	9810145-02804
44003	2.81	.657	.188	9810145-03804
44004	3.88	.938	.250	9810145-04804
44005	5.25	1.063	.375	9810145-05804