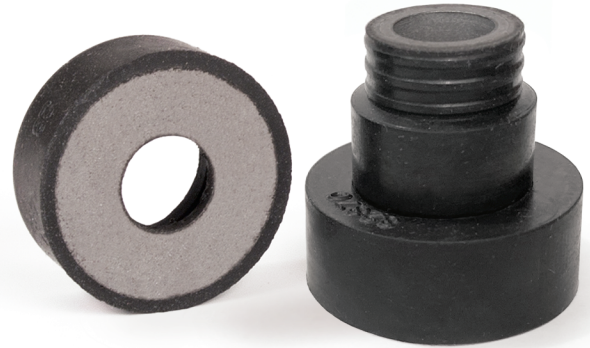


**NEW!**

# M8 Nanomount™ Vibration Isolators

We make it *possible*

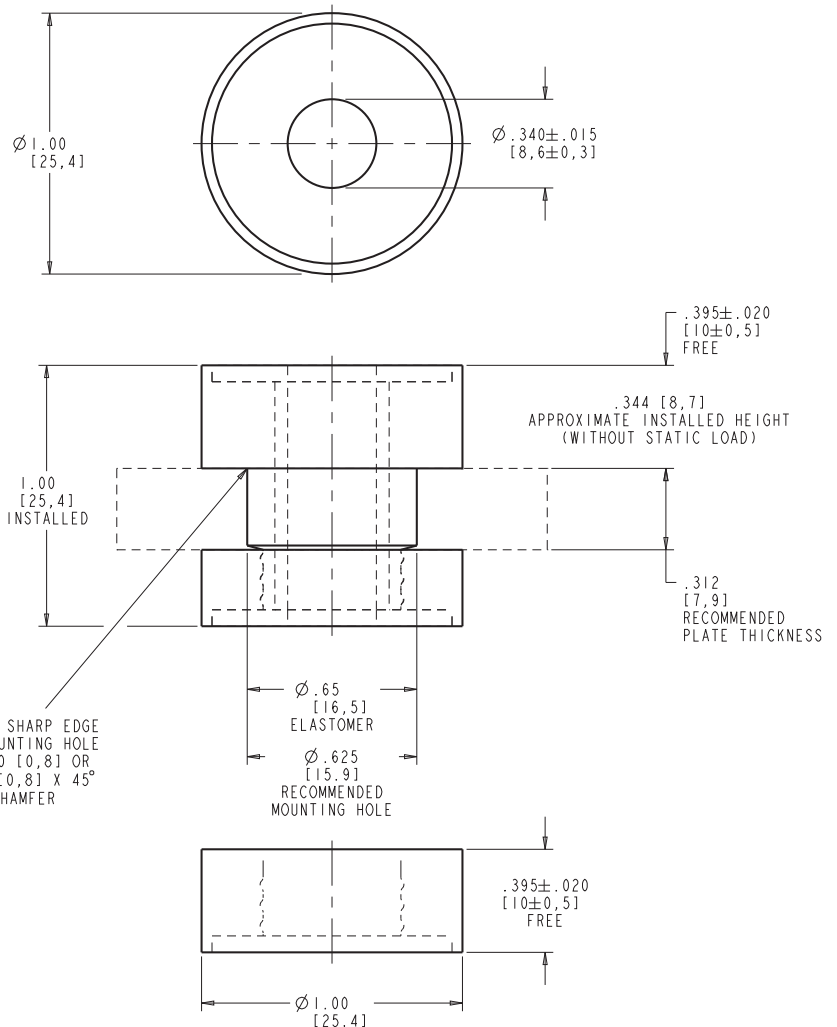


**32370 Series**

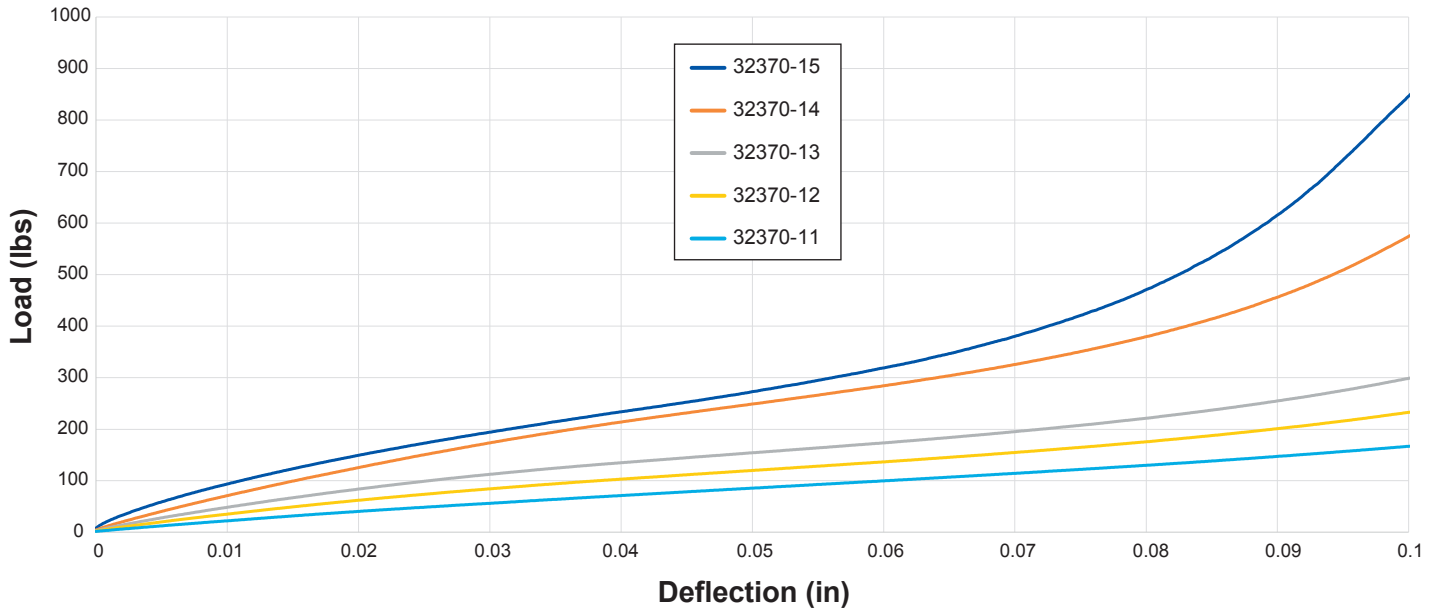
## DESCRIPTION & CHARACTERISTICS:

The M8 Nanomount™ is a compact and rugged vibration isolator that is **ideal for lightweight applications and small payloads to protect them from the damaging effects of vibration and shock.** It offers performance and durability in a low profile failsafe design. **Perfect for installations where packaging space is at a premium.**

- » Natural Frequency: 25 Hz at rated load, axial
- » Load Ratings: 30 lbs to 150 lbs
- » Axial to Radial Stiffness Ratio: 1:1.5
- » Failsafe integral washers eliminate the need for separate washers and reduce component count
- » Standard materials:
  - Metal components: Steel
  - Elastomer: Neoprene
- » M8 or 5/16" fasteners
- » Support plates ranging from .250" to .375" thick
- » Snap lock feature retains isolator during assembly
- » All-attitude mounting
- » Operating temperature range:
  - Neoprene: -20°F to 180°F (-30°C to 82°C)

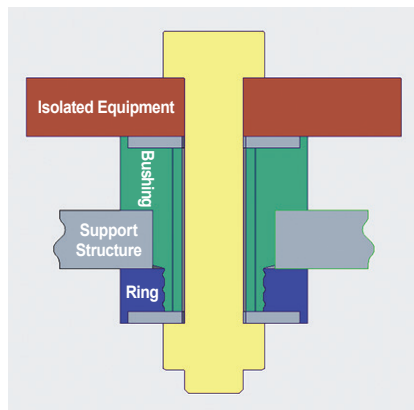
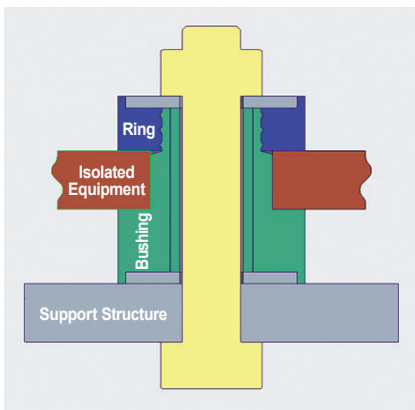


### M8 Nanomount 32370 series Axial Load vs. Deflection



Part Number	Elastomer Material	Durometer (reference)	Color Code (paint dot)	Rated Load Axial (max)*		Axial Stiffness		Rated Load Radial (max)*	
				lbs	[kg]	lbs/in	[N/mm]	lbs	[kg]
32370-11	Neoprene	35	Red & White	30	[13.6]	2100	[370]	7	[3.2]
32370-12	Neoprene	45	Yellow & White	45	[20.4]	3300	[580]	11	[5.0]
32370-13	Neoprene	55	Green & White	60	[27.2]	4500	[790]	15	[6.8]
32370-14	Neoprene	65	Blue & White	80	[36.3]	6600	[1160]	20	[9.1]
32370-15	Neoprene	75	Purple & White	105	[47.6]	8200	[1440]	26	[11.8]

\* Rated Load is recommended maximum for installations using recommended 0.312" thick support plate. For optional 0.250" thick support plate, rated loads should be reduced by 50%. For optional 0.375" thick support plate, rated loads can be increased by 25%.



Bolt Size	Grade or Class	Maximum Recommended Tightening Torque Plated or Lubricated	
		LB-FT	N-m
M8 x 1.25	8.8	17	23
M8 x 1.00	8.8	18	24.4
5/16-18	5	13	17.6
5/16-24	5	14	19