

# V MOUNT SERIES

Engine mounts isolate vibration, absorb shock and attenuate noise due to structure-borne vibrations.

## APPLICATIONS

- Class 6,7,8 truck engines
- Bus engines
- Off-highway vehicle engines
- On & off-highway vehicle cabs

## FEATURES

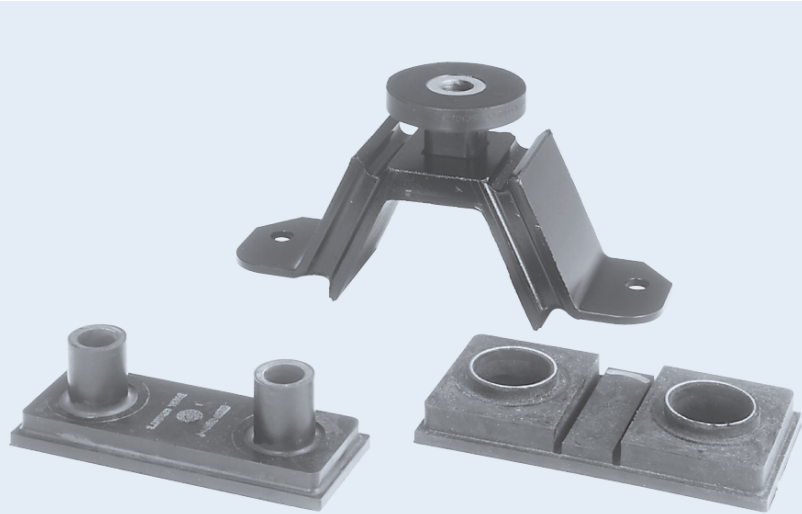
- Low natural frequency (9-10 Hertz)
- Long, dependable service life
- Off-the-shelf availability
- Proven durability

## BENEFITS

- Improved ride comfort
- Prevents mechanical noise transmission
- Ensures drivetrain alignment
- Eliminates minor shake
- Superior V-mount isolation

## LOAD RANGE

- 3 load ratings from 950 - 1400 lbs. per mount



Barry V-Spring Engine mounts isolate vibration, absorb shock and attenuate noise due to structure-borne vibration. These mounts feature uniquely tuned stiffnesses to achieve optimum performance and ride comfort.

## Specifications

• Natural Frequency	9-10 Hertz
• Transmissibility at resonance	8:1
• Resilient Element	Natural Rubber (Neoprene Optional)
• Standard Materials	High Strength Steel
• Weight	4.3 lbs. (w/snubber)

## Environmental Data

- Natural rubber elastomer has an operating temperature range of -40°F to +180°F (-40°C to +82°C).
- Neoprene elastomer has an operating temperature range of -20°F to +180°F (-30°C to +82°C).