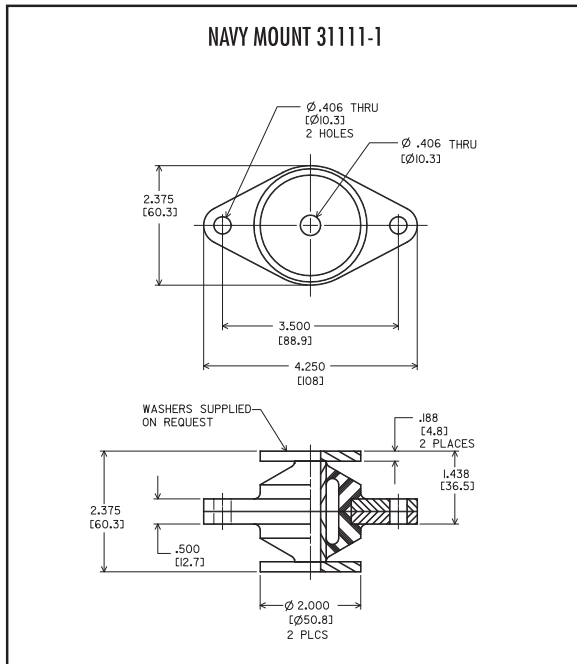
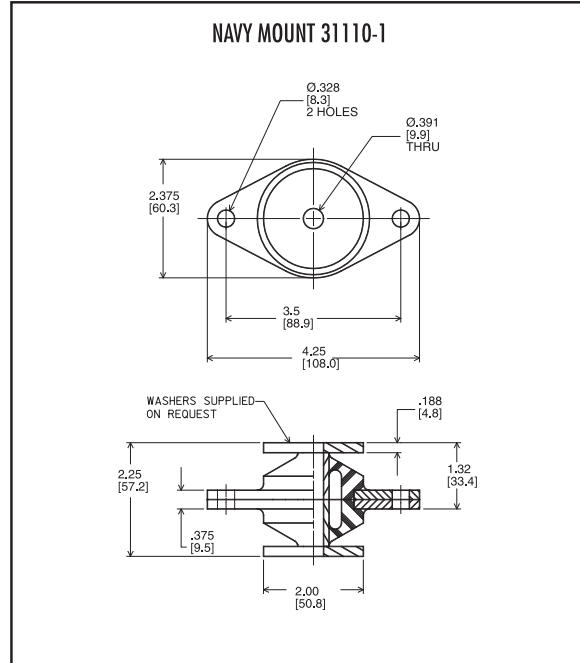
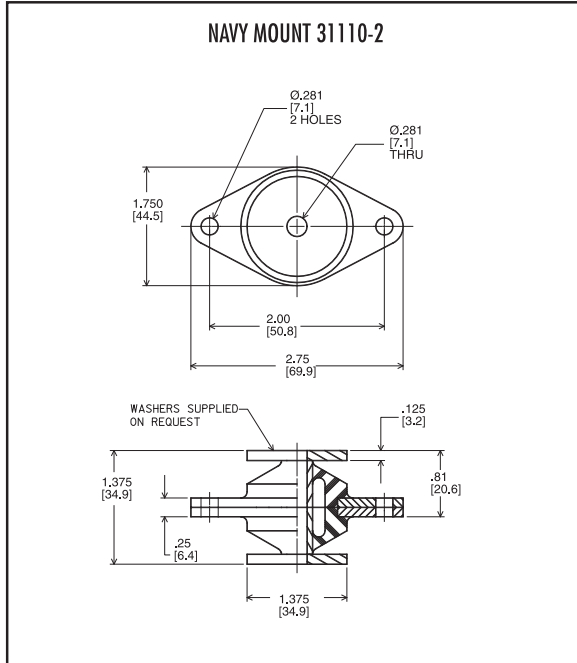


NAVY MOUNT SERIES: MARE ISLAND MOUNTS

Dimensions & Performance Characteristics



Part #	Navy Type #	Capacity (lbs)	Natural Frequency	Weight
31110-2	11M15	15	11 Hz	1 lb.
31110-1	11M25	25	11 Hz	1 lb.
31111-1	10M50	50	10 Hz	1 lb.
31114-1	6E100	100	6 Hz	2.8 lbs.
31115-1	7E450	450	7 Hz	4.5 lbs.
31114-3	6E900	900	6 Hz	18 lbs.