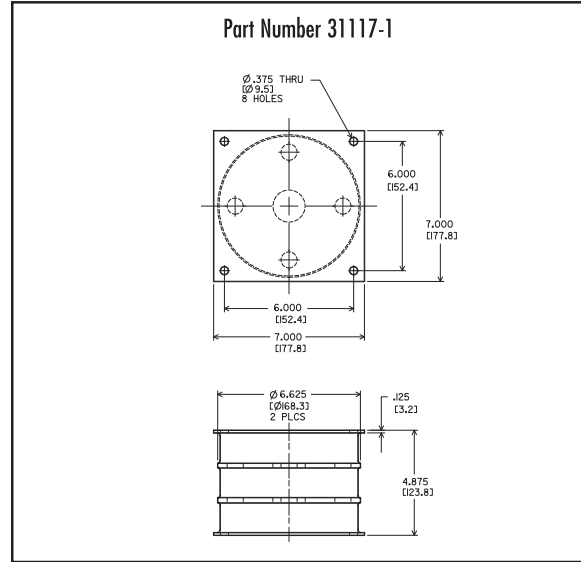
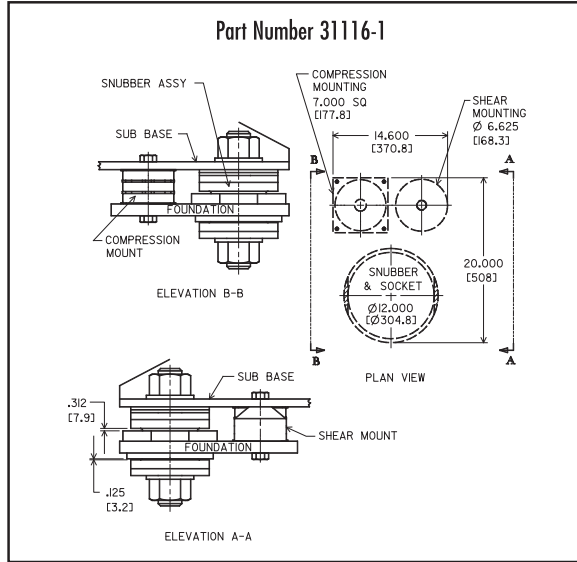


NAVY MOUNT SERIES: 5M10000H

Dimensions & Performance Characteristics



Part #	Navy Type #	Description	Load Rating	Natural Frequency	Weight
31116-1	5M10000H	Complete Assembly	10000 lbs for complete assembly	5 Hz for complete assembly	98.5 lbs.
31117-1	5M10000H	Compression Element			13.2 lbs.
31118-1	5M10000H	Shear Element			14.1 lbs.
31119-1	5M10000H	Snubber Element			71.1 lbs.

