

NAVY MOUNT SERIES: EES MACHINERY MOUNTS & 5B5000H

Dimensions & Performance Characteristics

All Parts of Type 31120 have 5000 lb capacity and 5 Hz Natural Frequency						
Part #	A	B	C	D	E	F
31120-1-0	-	-	-	-	-	-
31120-1-4	10.75	1.125	5.75	-	1.125	1.281
31120-1-6	11.25	.875	6.5	3.25	.75	.906

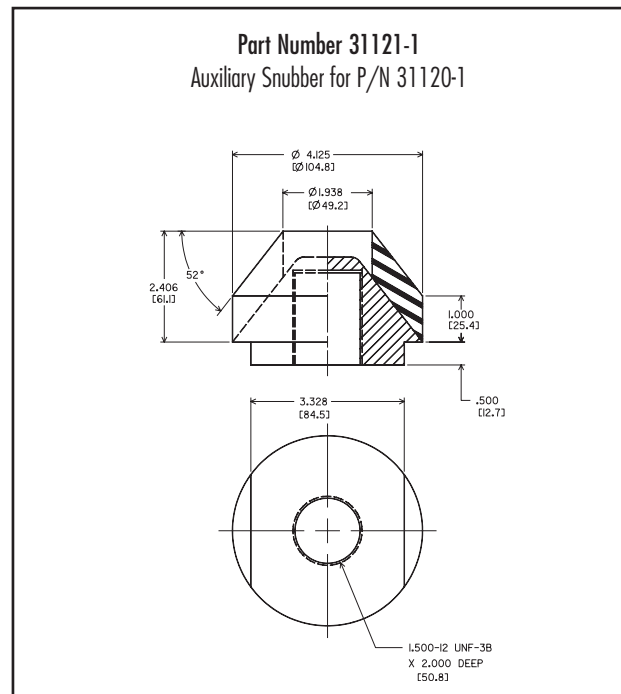
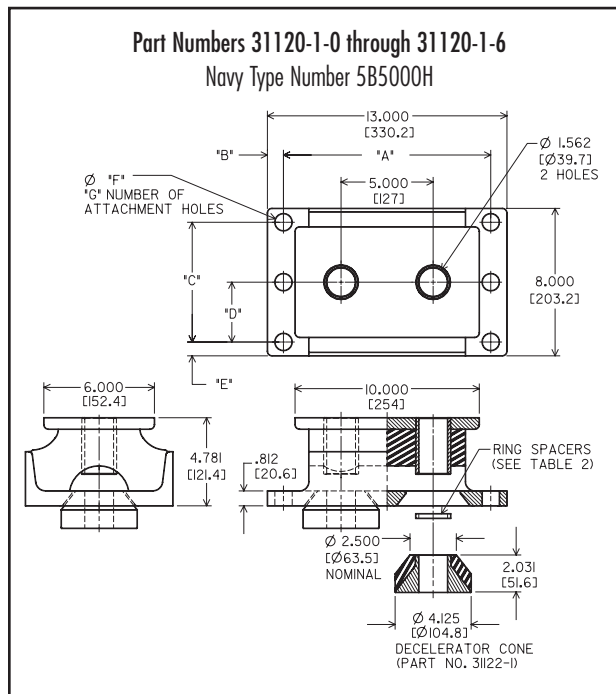


Table 2

Ring Spacers		
Part No.	Length (in)	No. Required
8510084-019036	0.250	2
8510084-029036	0.125	2
8510084-039036	0.062	8