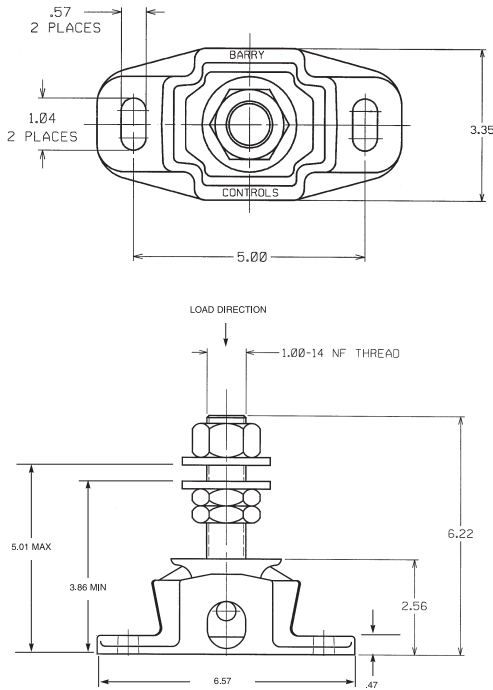


MARINE MOUNT SERIES: 27166

Dimensions & Performance Characteristics

NOTE: SEE BELOW FOR 3/4 STUD INFORMATION



27166 Marine Mounts are compact, captive marine isolators designed to support light to medium loads from 138-750 lbs. per mount.

They provide effective noise and vibration isolation of marine engines up to 400 horsepower.

NATURAL FREQUENCY	10-16 Hertz
TRANSMISSIBILITY AT RESONANCE	8:1
RESILIENT ELEMENT	Neoprene
STANDARD MATERIALS	Corrosion resistant steel & Aluminum
WEIGHT	4.25 lbs.

PART #	LOAD RANGE (lbs.)								MINIMUM LOAD (lbs.)	MAXIMUM LOAD (lbs.)
	0	100	200	300	400	500	600	700		
27166-4*	↔								138	225
27166-7+	↔↔								190	350
27166-6	↔↔↔								300	500
27166-11	↔↔↔↔								450	750

* Order Part #27166-8 for 3/4" stud and adjustability from 4.82 max to 3.51 min.

+ Order Part #27166-9 for 3/4" stud and adjustability from 4.82 max to 3.51 min