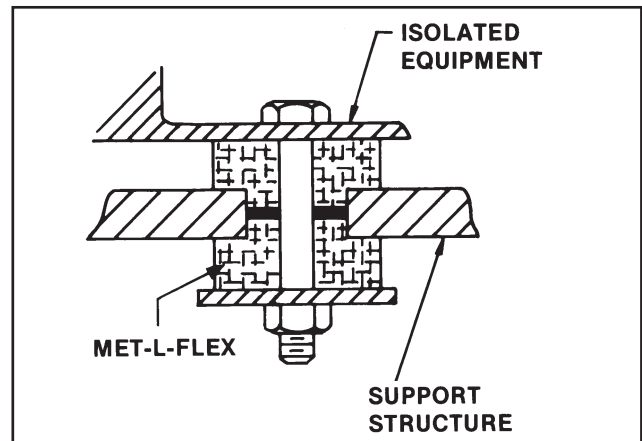
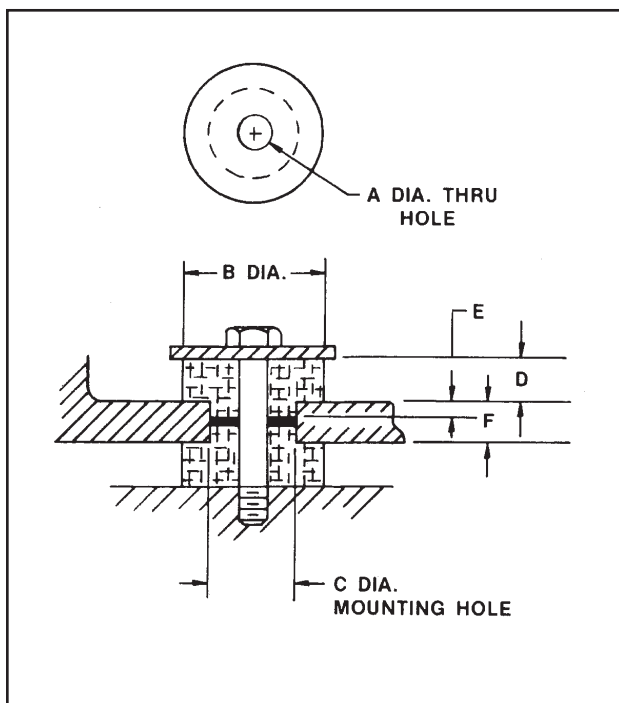


MET-L-FLEX BUSHING SERIES:

Dimensions & Performance Characteristics

MET-L-FLEX BUSHINGS								
Part #	A	B	C	D	E	F	WEIGHT	RECOMMENDED LOAD*
MG30425-1	.14	11/32	1/4	7/64	1/16	1/8	.03	10 lbs.
MG30428-1	.16	25/64	9/32	9/64	1/16	1/8	.05	12 lbs.
MG30431-1	.19	7/16	5/16	9/64	1/16	1/8	.06	16 lbs.
MG30441-1	.25	9/16	13/32	11/64	5/64	5/32	.11	27 lbs.
MG30450-1	.31	11/16	1/2	7/32	3/32	3/16	.21	42 lbs.
MG30462-1	.38	7/8	5/8	17/64	1/8	1/4	.42	64 lbs.



*Consistent with 5% deflection of the 'D' dimension due to tightening. Do not over tighten so as to exceed deflection of 5% of 'D' dimension.