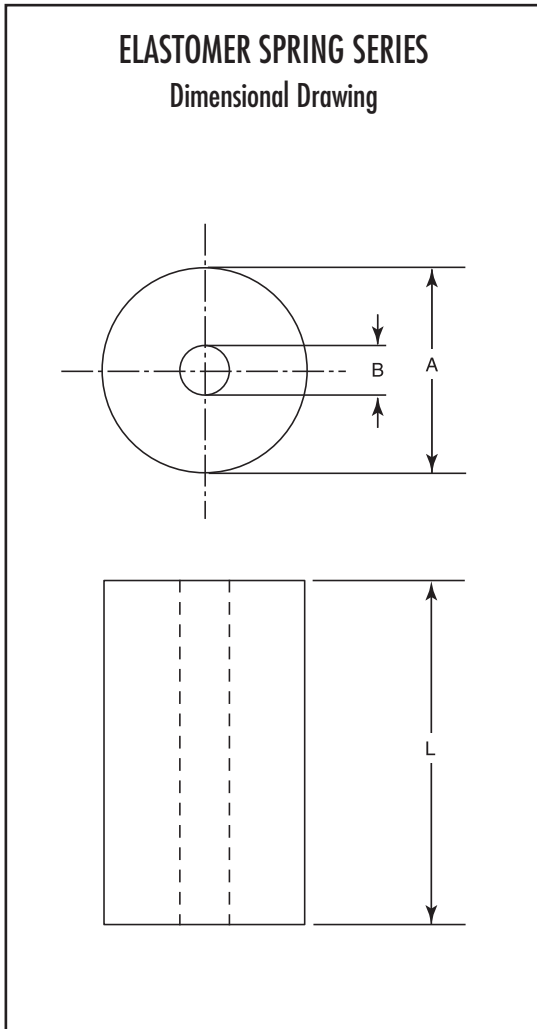


ELASTOMER SPRING SERIES:

Dimensions & Load Range Data



Dimensions and data are subject to change without notice.
For technical, design, or application assistance, call toll free:
1-800-BARRY MA

Part Number	A	B	L	R	D	T
ES-3500	.63"	.25"	15/32"	436	.17"	72
ES-3501			5/8"	353	.22"	77
ES-3502			25/32"	292	.27"	80
ES-3503			1"	236	.34"	83
ES-3510	.787"	.33"	5/8"	610	.22"	133
ES-3511			25/32"	482	.28"	132
ES-3512			1"	381	.35"	133
ES-3513			1.25"	287	.44"	126
ES-3520	1.00"	.41"	25/32"	787	.28"	215
ES-3521			1"	598	.35"	209
ES-3522			1.25"	524	.44"	229
ES-3523			1.562"	440	.55"	241
ES-3530	1.25"	.53"	1.25"	1031	.44"	451
ES-3531			1.578"	828	.55"	471
ES-3532			1.969"	651	.69"	456
ES-3533			2.50"	517	.87"	452
ES-3540	1.56"	.53"	1.25"	1790	.44"	783
ES-3541			1.578"	1434	.55"	816
ES-3542			1.969"	1148	.69"	804
ES-3543			2.50"	931	.87"	815
ES-3544			3.156"	744	1.10"	830
ES-3550	2.00"	.66"	1.25"	2959	.44"	1295
ES-3551			1.578"	2411	.55"	1371
ES-3552			1.969"	1852	.69"	1296
ES-3553			2.50"	1482	.87"	1297
ES-3554			3.156"	1192	1.10"	1330
ES-3555			3.937"	950	1.38"	1330
ES-3560	2.50"	.66"	1.25"	4565	.44"	1997
ES-3561			1.578"	3650	.55"	2076
ES-3562			1.969"	2830	.69"	1981
ES-3563			2.50"	2286	.87"	2000
ES-3564			3.156"	1809	1.10"	2018
ES-3565			3.937"	1468	1.38"	2055
ES-3566			4.922"	1375	1.72"	2406
ES-3570	3.15"	.83"	1.25"	9088	.44"	3926
ES-3571			1.578"	7038	.55"	4003
ES-3572			1.969"	5768	.69"	4038
ES-3573			2.50"	4572	.87"	4000
ES-3574			3.156"	3485	1.10"	3889
ES-3575			3.937"	2567	1.38"	3594
ES-3576			4.922"	2010	1.72"	3518
ES-3580	3.94"	.83"	1.25"	15216	.44"	6657
ES-3581			1.578"	10427	.55"	5930
ES-3582			1.969"	8466	.69"	5926
ES-3583			2.50"	6435	.87"	5631
ES-3584			3.156"	4648	1.10"	5186
ES-3585			3.937"	3440	1.38"	4816
ES-3586			4.922"	2540	1.72"	4445
ES-3590	4.92"	1.06"	1.25"	33815	.44"	14794
ES-3591			1.578"	22810	.55"	12973
ES-3592			1.969"	14817	.69"	10372
ES-3593			2.50"	10584	.87"	9261
ES-3594			3.156"	7138	1.10"	7965
ES-3595			3.937"	5680	1.38"	7952
ES-3596			4.922"	4022	1.72"	7039
ES-3597			6.312"	3102	2.21"	6853

R = Spring Rate, lbs./inch deflection +/- 20%

D = Maximum recommended deflection -35%L

T = Approximate total load at maximum deflection +/- 20%