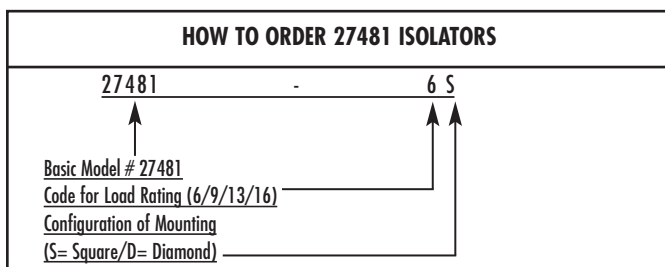
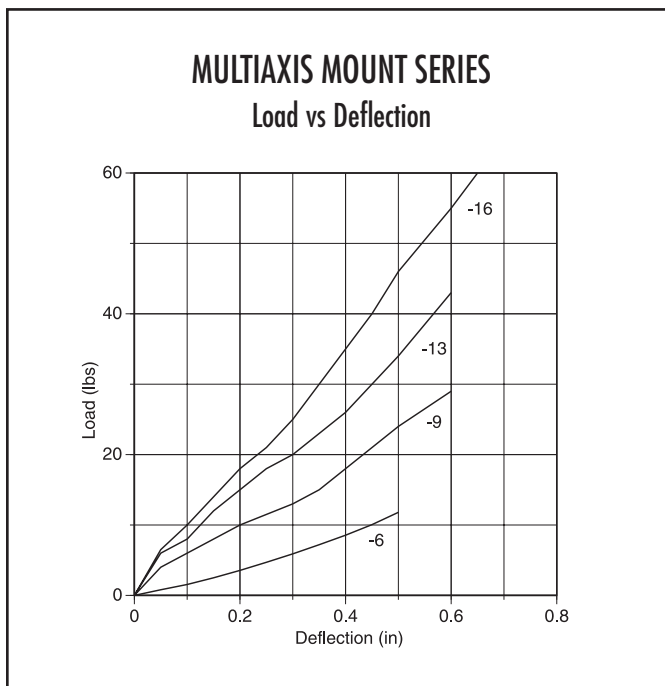
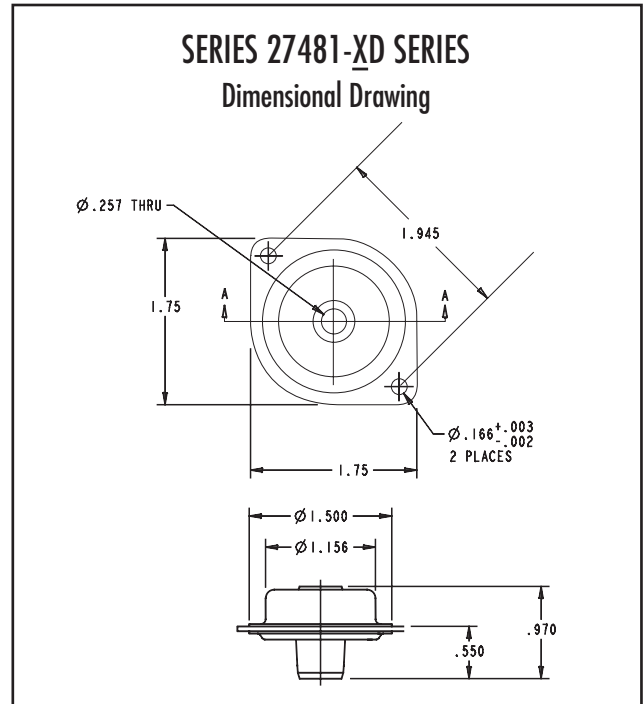
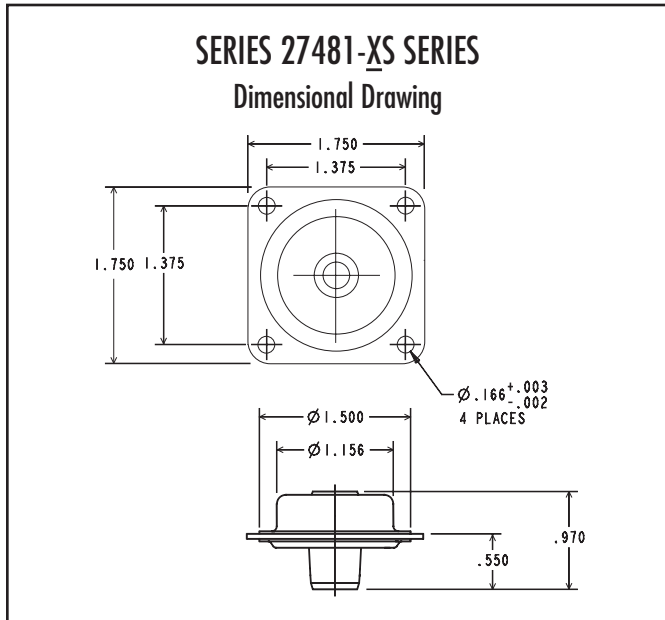


MULTIAXIS MOUNT SERIES:

Dimensions & Performance Characteristics



MULTIAXIS MOUNT SERIES
Snubbing Washer

The use of snubbing washers is recommended to ensure proper static and dynamic loading of the isolator and retention of suspended equipment under severe shock environments.

Snubbing washers are ordered by separate part numbers as shown in the table below. The standard material is low-carbon steel and the standard finish is zinc plate. Other materials and finishes are available upon request.

Please consult with Barry Controls Applications Engineering at 1-800-Barry-MA for more information on the use of snubbing washers.

Part #	"A" Dia.	"B" Dia.	"C"
9810321-01804	1.5"	.27"	.062"