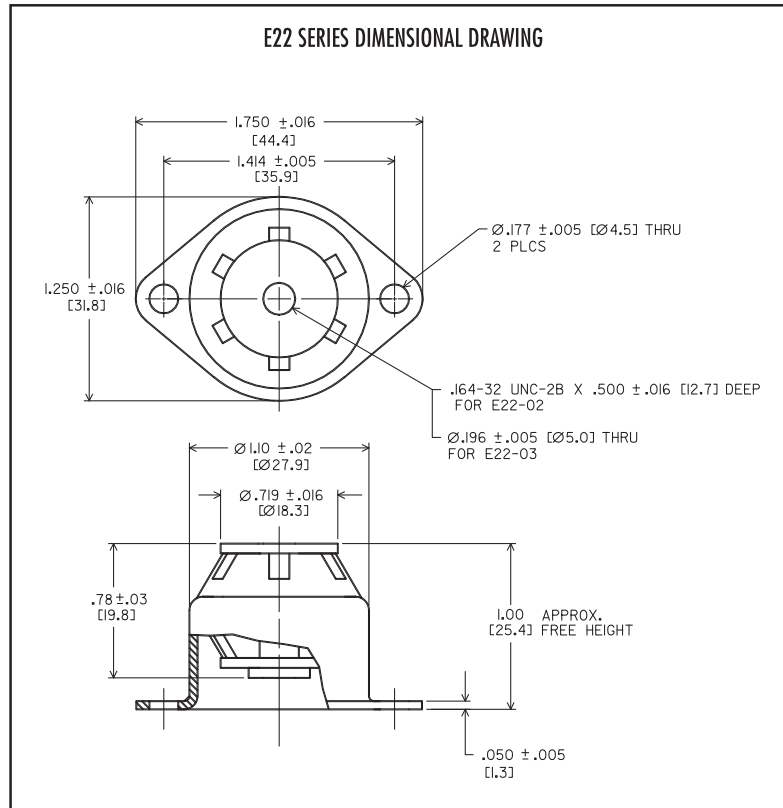


E MOUNT SERIES: E22

Dimensions & Performance Characteristics



LOAD RATINGS			
Max. Load/Mount (lbs.)	Cup Type Tapped Core	Cup Type Thru Core	Weight (lbs.)
4.50	E22-02-40	E22-03-40	.045
7.00	E22-02-50	E22-03-50	
10.00	E22-02-60	E22-03-60	