

6820 MOUNT SERIES

Economical, low-frequency, low-profile mounts provide vibration and structure-borne noise control.

APPLICATIONS

- Electronic equipment where low-profile equipment installation is required
- Instrument panels
- Airborne electronics
- Motors & generators

FEATURES

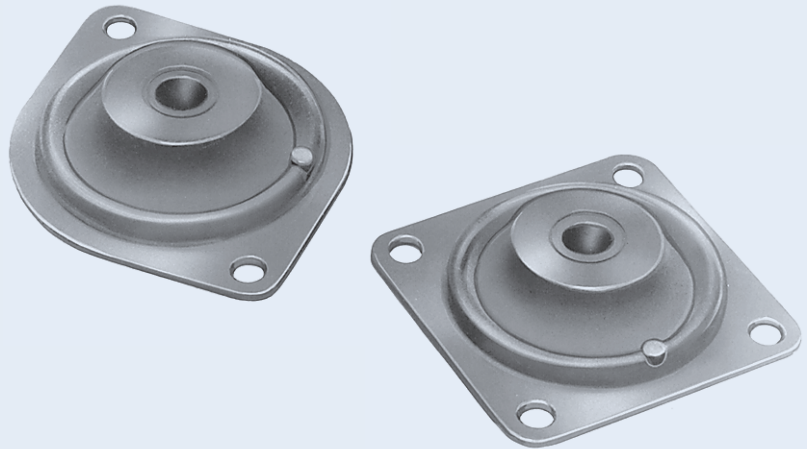
- Compact, low-profile design
- Low cost isolator
- Wide load range for most applications
- Radial to Axial stiffness of 1.5:1

BENEFITS

- Compact size minimizes required mounting space
- Economical operation
- Design flexibility

LOAD RANGE

- 2 sizes to 80 lbs. per mount



Barry 6820 Series Mounts are ideal for providing economical isolation from vibration and structure-borne noise for electronic equipment in cramped environments, such as instrument panels or for motors and generators.

Specifications

• Natural Frequency	10-30 Hertz
• Transmissibility at resonance	10.0 Max.
• Resilient Element	Neoprene
• Standard Materials	Steel
• Weight	6821 = 1.0 oz. 6822 = 2.25 oz.

Environmental Data

- Hi-Damp Silicone is available as an elastomer option. Limits amplification at resonance to 4 or less. Operating temperature range is -67°F to +300°F (-55°C to +150°C).
- Neoprene version is standard and operational temperature range is -20°F to +180°F (-30°C to +82°C). Neoprene elastomer is resistant to oils and ozone.