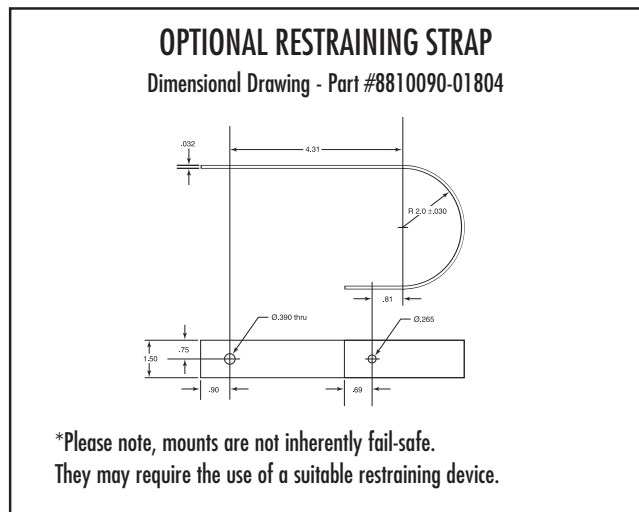
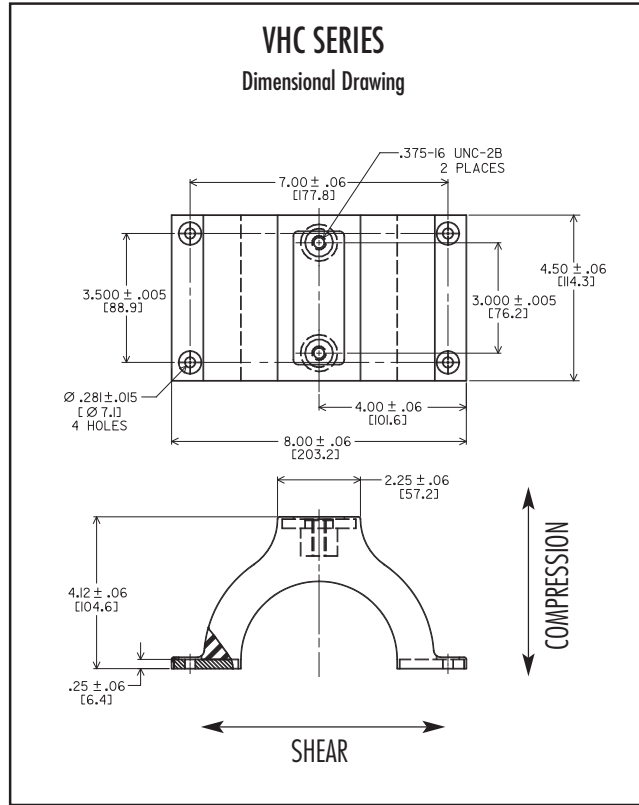


VHC MOUNT SERIES:

Dimensions & Performance Characteristics



LOAD RATINGS		
Part #		Max. Axial Load Rating (lbs.)
Neoprene	Barry LT	
VHC-1A	VHC-5A	45
VHC-2A	VHC-6A	70
VHC-3A	VHC-7A	100
VHC-4A	VHC-8A	145

