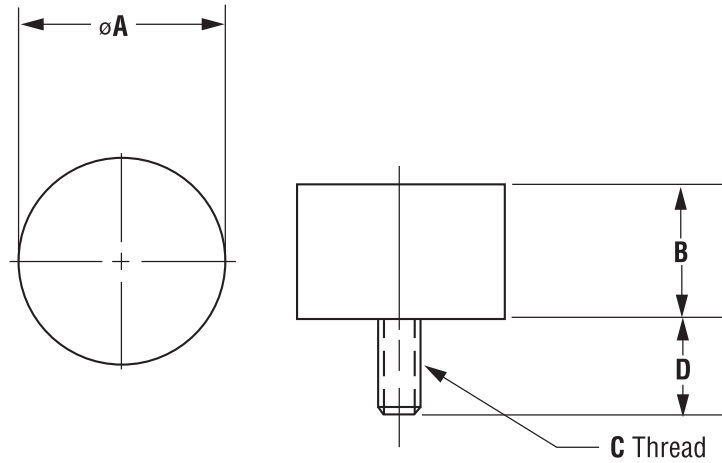


# CYLINDRICAL STUD MOUNTS: BUMPERS (MALE STUD ONLY) SERIES

Dimensions & Performance Characteristics

**BUMPERS (MALE STUD ONLY) SERIES**  
Dimensional Drawing (Inches)



Part #	A	B	C	D	Max. Load (lbs.) Compression	Material
27051-03	0.438	0.438	#6-32	0.250	3.0	Natural Rubber
27051-04	0.563	0.500	#8-32	0.375	6.0	Natural Rubber
27051-05	0.750	0.625	#10-32	0.375	15.0	Natural Rubber
27051-02	1.000	0.375	0.312-18	1.250	40.0	Natural Rubber
27051-06	1.000	0.375	0.312-18	0.625	45.0	Natural Rubber
27051-07	1.000	0.625	0.312-18	0.625	48.0	Natural Rubber
27051-08	1.000	0.750	0.250-20	0.500	35.0	Natural Rubber
27051-01	1.000	1.000	0.312-18	0.625	40.0	Natural Rubber
27051-09	1.250	0.750	0.312-18	0.625	50.0	Natural Rubber
27051-10	1.500	1.000	0.312-18	0.625	100.0	Natural Rubber
27051-11	1.500	1.000	0.375-16	0.625	100.0	Natural Rubber