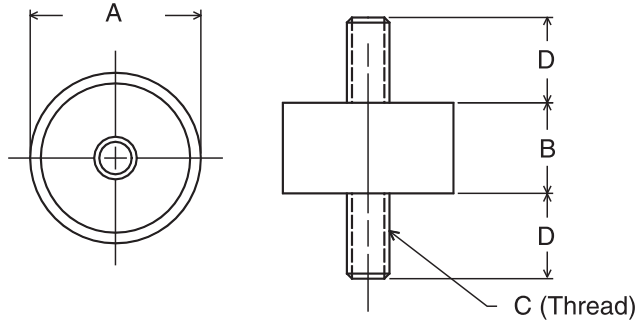


CYLINDRICAL STUD MOUNTS: DOUBLE STUD (MALE/MALE) SERIES

Dimensions

Double Stud (Male/Male) Series
Dimensional Drawing (Inches)



| Part # | A | B | C | D | Compression | | Shear | | Material |
|---------|-------|-------|----------|-------|------------------|------------------------|------------------|------------------------|----------------|
| | | | | | Max. Load (lbs.) | Natural Frequency (Hz) | Max. Load (lbs.) | Natural Frequency (Hz) | |
| A76-041 | 0.250 | 0.280 | #4-40 | 0.190 | 1.0 | 9.0 | 2.0 | 8.0 | Natural Rubber |
| A88-041 | 0.375 | 0.625 | #8-32 | 0.375 | 2.0 | 20.0 | 5.0 | 18.0 | Natural Rubber |
| A00-051 | 0.438 | 0.500 | #8-32 | 0.375 | 10.3 | 14.0 | 5.5 | 10.0 | Natural Rubber |
| A00-031 | 0.438 | 0.500 | #8-32 | 0.375 | 4.8 | 14.0 | 2.5 | 9.0 | Natural Rubber |
| A07-041 | 0.438 | 0.438 | #6-32 | 0.250 | 4.0 | 13.5 | 1.0 | 12.0 | Natural Rubber |
| A07-042 | 0.438 | 0.438 | #8-32 | 0.250 | 4.0 | 13.5 | 1.0 | 12.0 | Natural Rubber |
| A10-041 | 0.563 | 0.500 | #8-32 | 0.375 | 14.0 | 12.5 | 7.0 | 11.0 | Natural Rubber |
| A10-042 | 0.563 | 0.500 | #10-32 | 0.375 | 14.0 | 12.5 | 7.0 | 11.0 | Natural Rubber |
| A98-041 | 0.750 | 0.625 | #10-32 | 0.375 | 18.0 | 11.0 | 3.0 | 9.5 | Natural Rubber |
| A25-041 | 1.000 | 0.250 | 0.250-20 | 0.500 | 60.0 | 25.0 | 15.0 | 28.0 | Natural Rubber |
| A20-041 | 1.000 | 0.500 | 0.250-20 | 0.750 | 60.0 | 14.0 | 20.0 | 10.0 | Natural Rubber |
| A21-141 | 1.000 | 0.531 | 0.250-20 | 0.500 | 55.0 | 13.0 | 23.0 | 7.5 | Neoprene |
| A22-172 | 1.000 | 0.750 | 0.250-20 | 0.625 | 90.0 | 14.0 | 50.0 | 10.0 | Neoprene |
| A22-041 | 1.000 | 0.750 | 0.250-20 | 0.750 | 40.0 | 11.0 | 10.0 | 13.0 | Natural Rubber |
| A22-141 | 1.000 | 0.750 | 0.250-20 | 0.500 | 50.0 | 10.0 | 14.0 | 7.5 | Neoprene |
| A22-131 | 1.000 | 0.750 | 0.250-20 | 0.500 | 44.0 | 10.0 | 11.5 | 7.5 | Neoprene |
| A22-062 | 1.000 | 0.750 | 0.312-18 | 0.750 | 70.0 | 12.0 | 35.0 | 10.0 | Natural Rubber |
| A22-142 | 1.000 | 0.750 | 0.312-18 | 0.562 | 50.0 | 10.0 | 14.0 | 7.5 | Neoprene |
| A22-053 | 1.000 | 0.750 | 6mm | 0.500 | 60.0 | 10.0 | 33.0 | 8.0 | Natural Rubber |
| A23-042 | 1.000 | 1.000 | 0.250-20 | 0.750 | 35.0 | 9.0 | 8.0 | 8.0 | Natural Rubber |
| A23-041 | 1.000 | 1.000 | 0.312-18 | 0.625 | 35.0 | 9.0 | 8.0 | 8.0 | Natural Rubber |
| A23-141 | 1.000 | 1.000 | 0.312-18 | 0.562 | 35.0 | 10.0 | 12.0 | 7.5 | Neoprene |
| A32-151 | 1.250 | 0.750 | 0.312-18 | 0.562 | 98.0 | 10.0 | 31.0 | 7.5 | Neoprene |
| A34-141 | 1.250 | 1.250 | 0.312-18 | 0.562 | 76.0 | 10.0 | 13.5 | 7.5 | Neoprene |
| A43-042 | 1.375 | 1.000 | 0.375-16 | 0.750 | 70.0 | 12.0 | 40.0 | 9.0 | Natural Rubber |
| A43-151 | 1.375 | 1.000 | 0.312-18 | 0.562 | 96.0 | 10.0 | 32.0 | 7.5 | Neoprene |
| A53-061 | 1.500 | 1.000 | 0.375-16 | 1.000 | 150.0 | 9.0 | 40.0 | 6.5 | Natural Rubber |