

CYLINDRICAL STUD MOUNT SERIES

Versatile, low-cost, lightweight stud type mounts for vibration, shock, noise control, and motion accommodation.

APPLICATIONS

- Fans
- Appliances
- HVAC equipment
- Electronic equipment
- Pumps, relays & control panels
- Blowers
- Bumpers

FEATURES

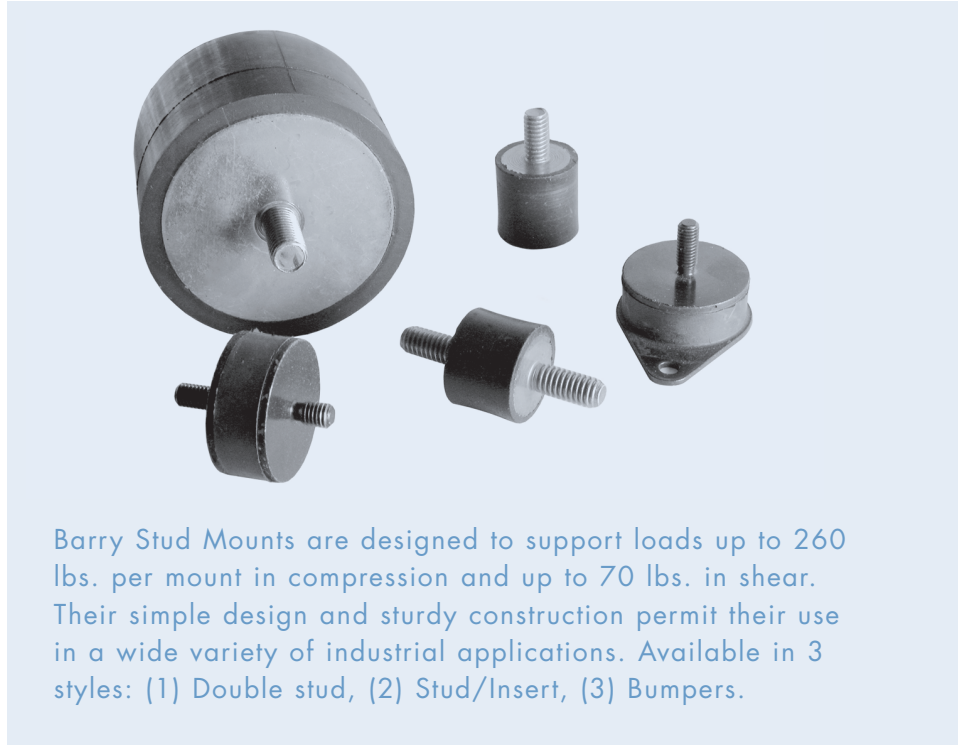
- Low-cost
- Axial to radial stiffness of 5:1
- Compact, low-profile design

BENEFITS

- Compact size minimizes required mounting space
- Mounting permitted at any angle

LOAD RANGE

- Load ratings to 260 lbs. per mount



Barry Stud Mounts are designed to support loads up to 260 lbs. per mount in compression and up to 70 lbs. in shear. Their simple design and sturdy construction permit their use in a wide variety of industrial applications. Available in 3 styles: (1) Double stud, (2) Stud/Insert, (3) Bumpers.

Specifications

• Natural Frequency	7-28 Hertz
• Transmissibility at resonance	8:1
• Resilient Element	Neoprene & Natural Rubber
• Standard Materials	Low carbon steel

Environmental Data

- Neoprene elastomer has an operating temperature range of -20°F to +180°F (-30°C to +82°C) and is resistant to oils, most solvents and ozone.
- Natural Rubber elastomer has an operating temperature range of -40°F to +180°F (-40°C to +82°C).
- Other materials are available on special order to meet specific operating characteristics.