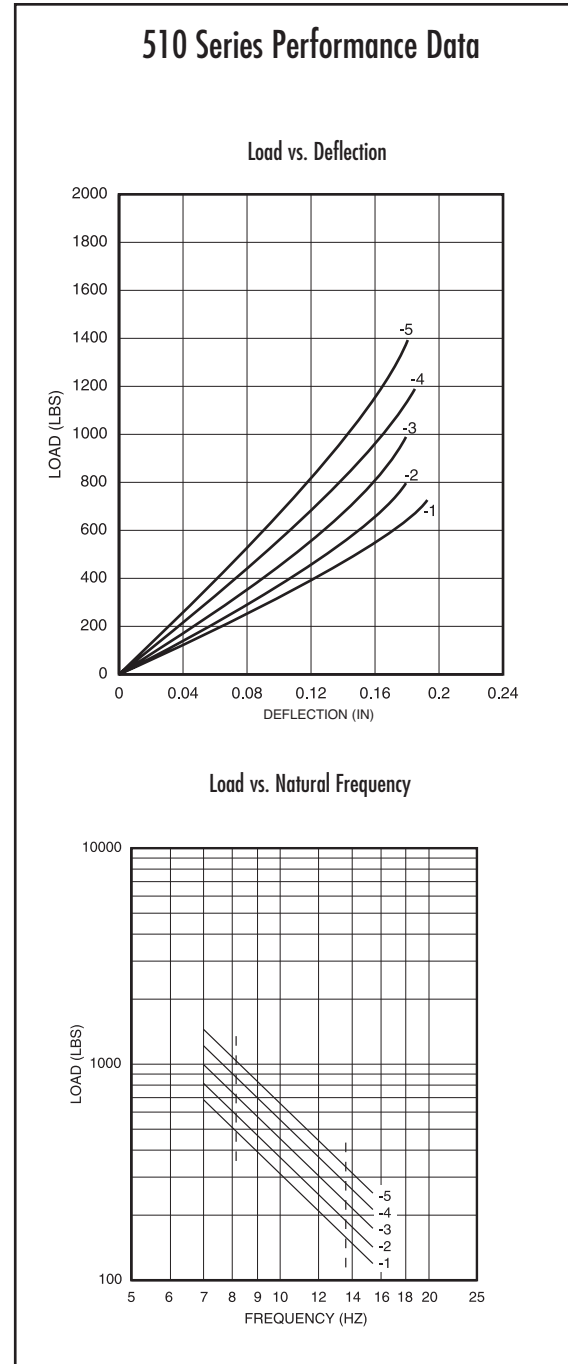
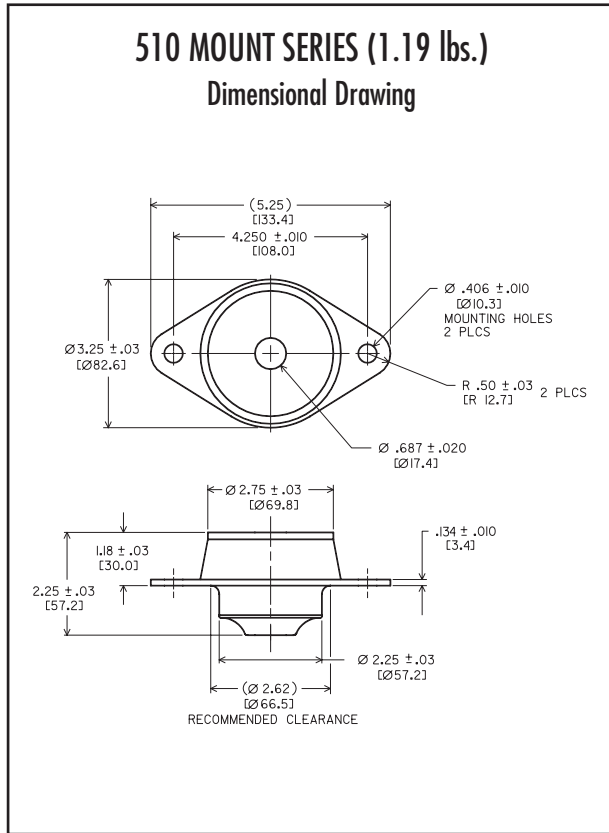


500 MOUNT SERIES: 510

Dimensions & Performance Characteristics



Code	510 SERIES LOAD RANGE (lbs.)		Radial Static Load Range		COLOR CODE
	Axial Static Load Range	Max.	Nominal	Max.	
-1	320	480	150	320	Orange & White
-2	380	570	190	380	Yellow & White
-3	460	690	230	460	Green & White
-4	560	840	280	560	Blue & White
-5	680	1020	340	680	Brown & White