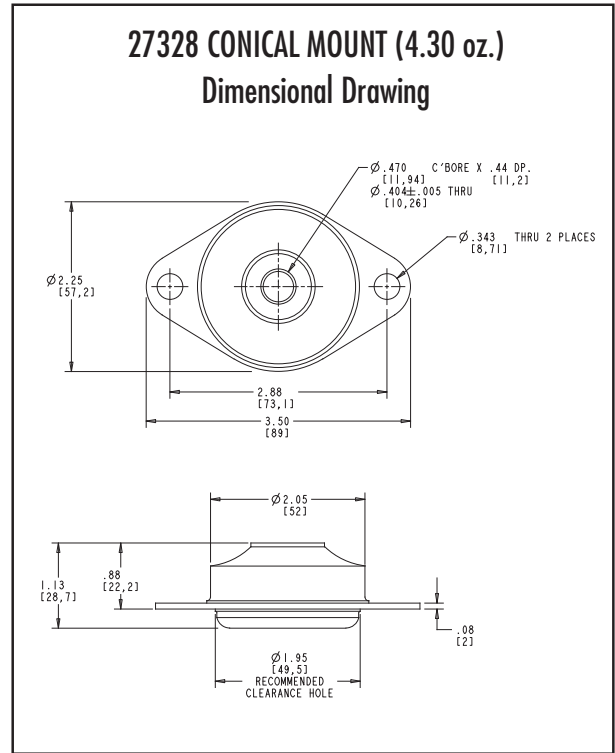
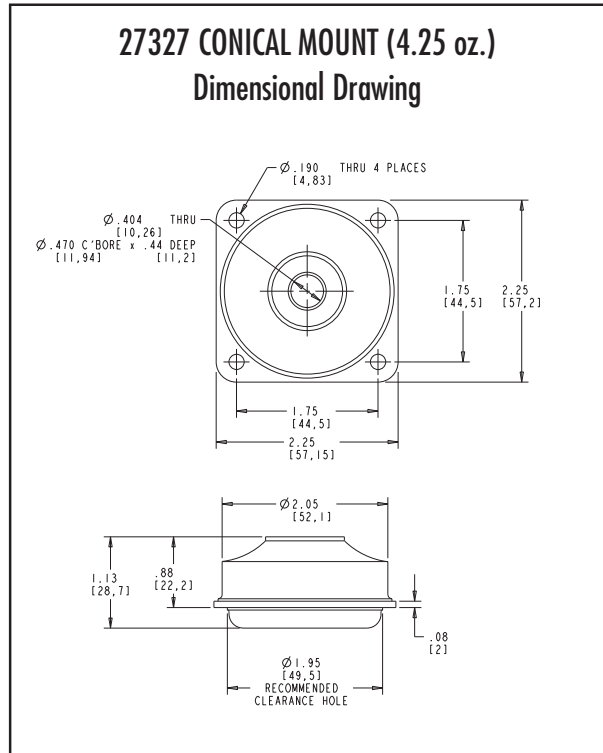


INDUSTRIAL CONICAL MOUNT SERIES: 27327 & 27328

Dimensions & Performance Characteristics



Part Number	Max. Axial Load Range (lbs.)	Color Code	Natural Frequency at Max. Load	Radial to Axial Stiffness Ratio	Bolt Size	Bolt Grade		Torque	
						SAE	ISO	ft-lbs	N-m
27327-45	82 lbs.	White	10 Hertz	2:1	3/8" or M10	8	10.9	50	76
27327-60	156 lbs.	Brown	10 Hertz	2:1	3/8" or M10	8	10.9	50	76
27327-70	233 lbs.	Orange	10 Hertz	2:1	3/8" or M10	8	10.9	50	76
27328-45	82 lbs.	White	10 Hertz	2:1	3/8" or M10	8	10.9	50	76
27328-60	156 lbs.	Brown	10 Hertz	2:1	3/8" or M10	8	10.9	50	76
27328-70	233 lbs.	Orange	10 Hertz	2:1	3/8" or M10	8	10.9	50	76