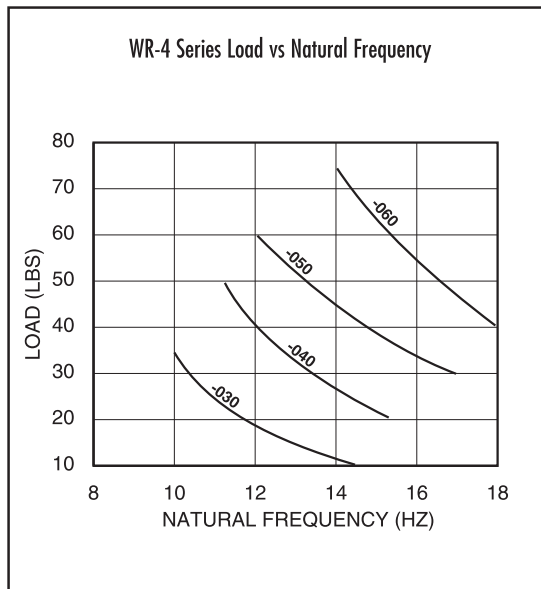
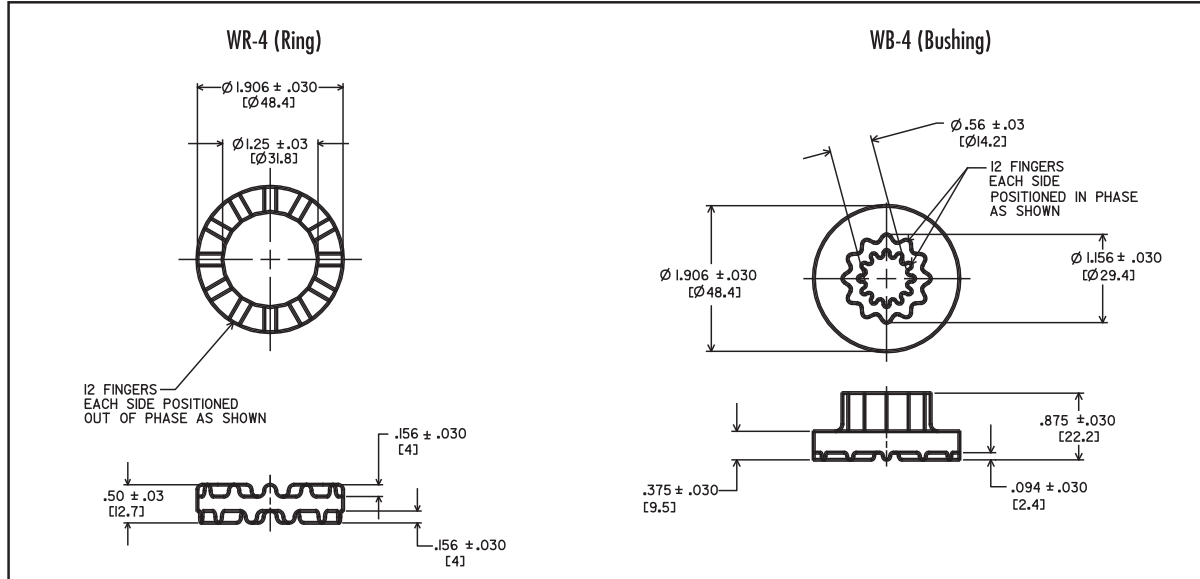


RING & BUSHING MOUNT SERIES: WR-4/WB-4

Dimensions & Performance Characteristics



RECOMMENDED LOAD LIMITS FOR RING & BUSHING ASSEMBLY		
Assembly	Min. Load	Max. Load
WR4-030/WB4-030	10 lbs.	35 lbs.
WR4-040/WB4-040	20 lbs.	50 lbs.
WR4-050/WB4-050	30 lbs.	60 lbs.
WR4-060/WB4-060	40 lbs.	75 lbs.