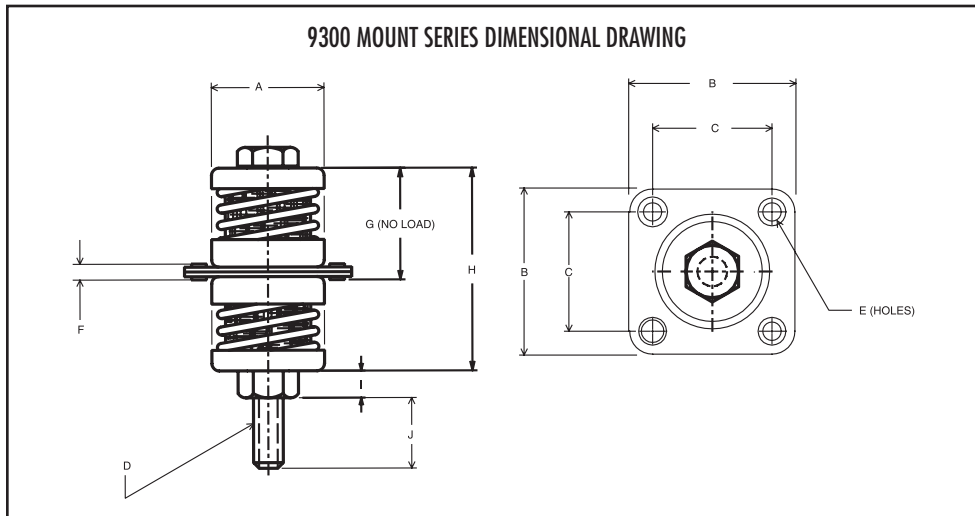


9300 MOUNT SERIES:

Dimensions & Load Range Specifications



Part #	Load Range	DIMENSIONS (INCHES)									
		A	B	C	D	E	F	G	H	I	J
9301-1	.5 - 1 lbs.	15/16	1 1/4	1	10-32	.141	3/64	51/64	1 1/2	5/16	3/8
9301-2	1 - 2 lbs.										
9301-3	2 - 3 lbs.										
9302-1	1-2 lbs.	1 7/32	1 3/4	1.375	1/4-20	.196	3/16	1 3/32	2	1/8	9/16
9302-2	1 3/4 - 3 1/2 lbs.										
9302-3	3 1/4 - 6 1/2 lbs.										
9303-1	2 - 3 lbs.	1 9/16	1 31/32	1.375	5/16-24	.196	3/16	1 1/4	2 5/16	5/16	1/2
9303-2	3 - 5 lbs.										
9303-3	5 - 7 lbs.										
9303-4	7 - 10 lbs.										
9303-7	10 - 13 lbs.										
9304-1	1 - 2 lbs.	1 15/16	2 1/4	1.750	5/16-24	.196	3/16	1 1/4	2 5/16	5/16	1/2
9304-2	7 - 11 lbs.										
9304-3	11 - 16 lbs.										
9304-4	4.5 - 7 lbs.										
9304-5	2 - 3 lbs.										
9304-6	3 - 4.5 lbs.										